



INSTALLATION INSTRUCTIONS

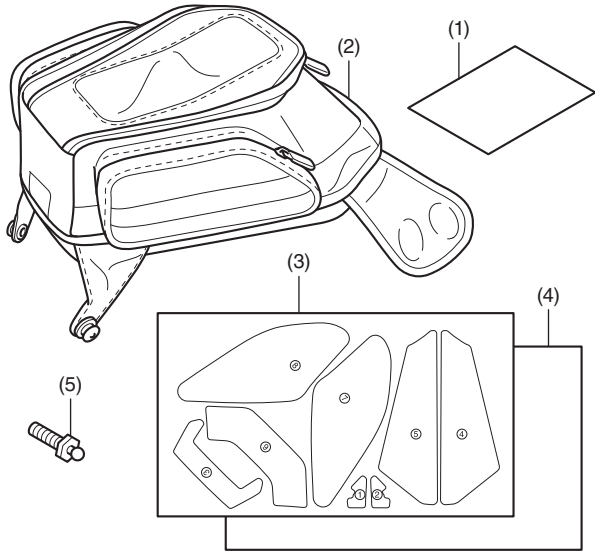
Accessory	Application	Publication No.
TANK BAG P/N 08L71-MKR-D10	CBR1000ST/SP	MII
		Issue Date
		December 2019

Accessory	Application	Publication No.
TANK BAG P/N 08L71-MKR-D10	CBR1000ST/SP	MII
		Issue Date
		December 2019

Accessory	Application	Publication No.
TANK BAG P/N 08L71-MKR-D10	CBR1000ST/SP	MII
		Issue Date
		December 2019

Honda Dealer: Please give a copy of these instructions to your customer.

PARTS LIST



No.	Description	Qty
(1)	URL paper	1
(2)	Tank bag	1
(3)	Protective film	1
(4)	Pattern paper	1
(5)	5 mm screw (5 x 16 mm)	2

TOOLS AND SUPPLY REQUIRED

Open-end wrench (9 mm)

Scissors

Scale

Tape

Isopropyl alcohol

Shop towel

Torque wrench

TORQUE INFORMATION

Tighten all screws, bolts, and nuts to their specified torque values. Refer to the Service Manual for the torque values of the removed parts.

Item	N·m	kgf·m	lbf·ft
5 mm screw	5.2	0.5	3.8

MAXIMUM LOADING CAPACITY

- The weight of the cargo must not exceed the following maximum loading capacity:

Maximum Loading Capacity	
Tank bag	2.0 kg (4.4 lb)

INSTALLATION

CAUTION

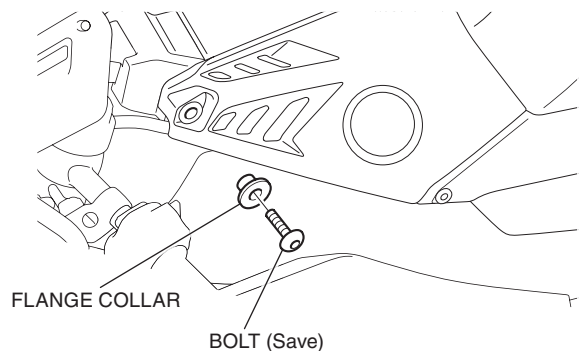
- To prevent burns, allow the engine, exhaust system, radiator, etc., to cool before installing the accessory.

NOTE:

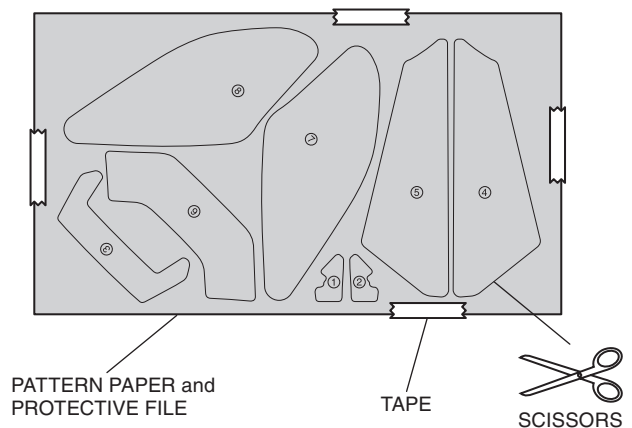
- Heat the bonding surfaces with a hair dryer if the ambient air temperature is below 21°C (70°F).
- The adhesive reaches full strength in 72 hours. Wait at least 24 hours before riding your motorcycle.
- Take care not to damage the painted surfaces of the motorcycle.

- Illustration shows CBR1000ST type, another type is similar.

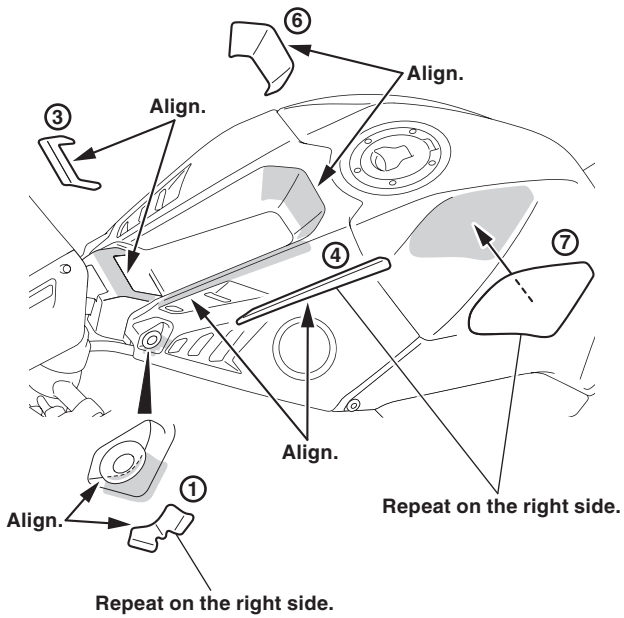
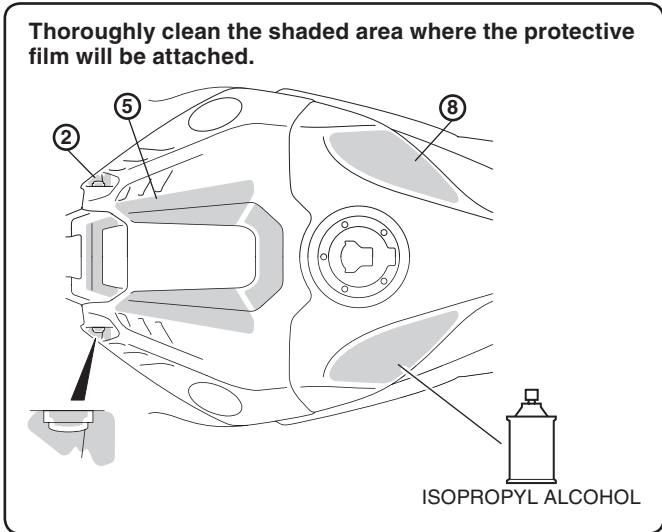
- Refer to the Service Manual for the motorcycle, remove the motorcycle parts.
 - Repeat on the right side.



- Attach the pattern paper on the protective film and cut out them together along the line as shown.

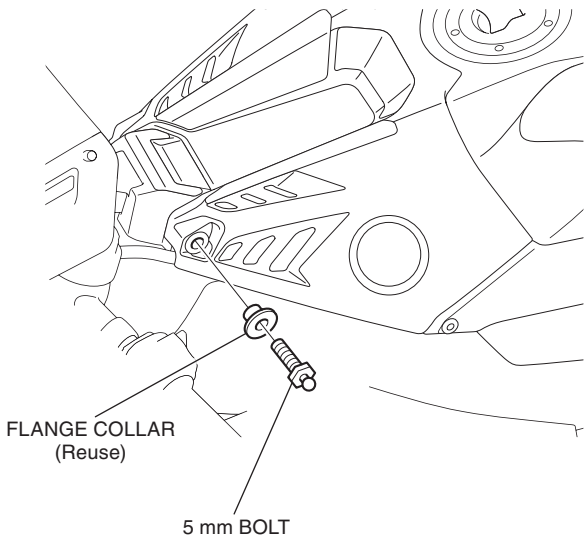


3. Attach the protective film in the position shown.



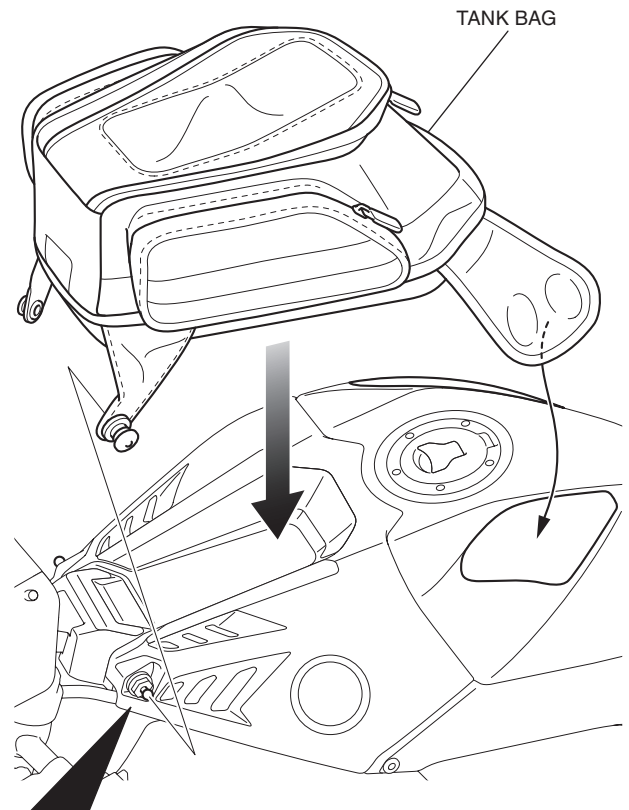
4. Install the 5 mm screw as shown.

- Repeat on the right side.

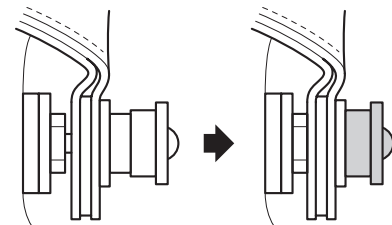


5. Install the tank bag as shown.

- To prevent scratches, install the tank bag after wiping clean the top shelter and tank bag.
- Repeat on the right side.



Secure the tank bag hook as shown.



How to Use the Tank Bag

1. Refer to the Genuine Accessory User's Guide and use the tank bag according to the instruction.